

OSCILLATING SCREEN FOR LIQUIDS

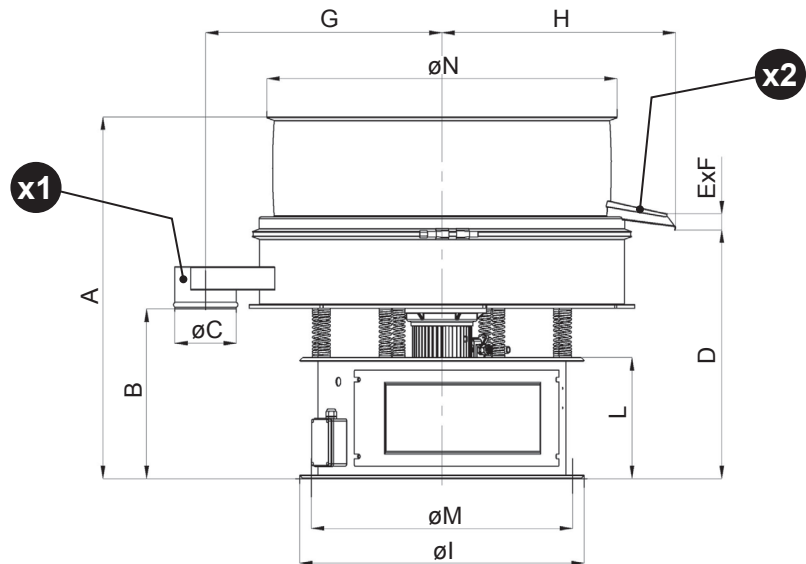
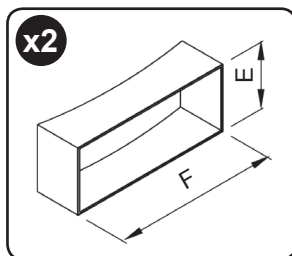
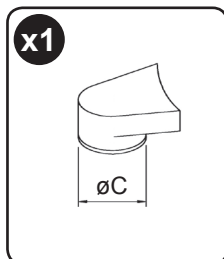
VBM 900-1200-1500-2000 1X

TECHNICAL FEATURES

DATA	U.M.	2000	1500	1200	900
Number screening nets	no.	1			
Screening surface	m ²	2.70	1.575	0.932	0.587
Power	kW	5.00	2.75	1.25	0.73
Centrifugal force	N	63,765	29,430	17,168	8,339
Motorised vibrator	Type	Z8	MV 155/4	MV 145/4	MV 125/4
Weight	kg	800	410	230	150

STRUCTURAL FEATURES

- AISI 304 stainless steel base, with ABS inspection door.
- Parts in contact with the product: AISI 304 L – roughness ≤ 0.5 Ra μ .
- Protection rating: IP65.
- Upper anti-splash strip.
- Clamping system: half-rings with bolts.
- Quick-coupling diffuser in galvanised steel with PA cone.



Mod./Size	A	B	ϕC	D	E	F	G	H	ϕl	L	ϕM	ϕN
900 1/X	941	441	160	646	42	140	615	612	741	315	680 No.4 holes $\phi 11$ at 90°	911
1200 1/X	1,062	476	160	718	42	140	726	718	741	315	680 No.4 holes $\phi 11$ at 90°	1,125
1500 1/X	1,176	582	200	837	42	140	955	889	937	380	870 No.4 holes $\phi 11$ at 90°	1,465
2000 1/X	1,307	693	250	961	50	200	1,200	1,144	1,260	515	1,215 No.4 holes $\phi 18$ at 90°	1,958

USE

- Screening of ceramic casting slips.

ACCESSORIES AND VERSIONS

- Quick-coupling diffuser, protected against incrustations.
- Diffuser available in stainless steel AISI 304.

The information is approximate - The guaranteed values are released by Vibrotech s.r.l. on request-It is forbidden to reproduce the document even partially.

OSCILLATING SCREEN FOR LIQUIDS

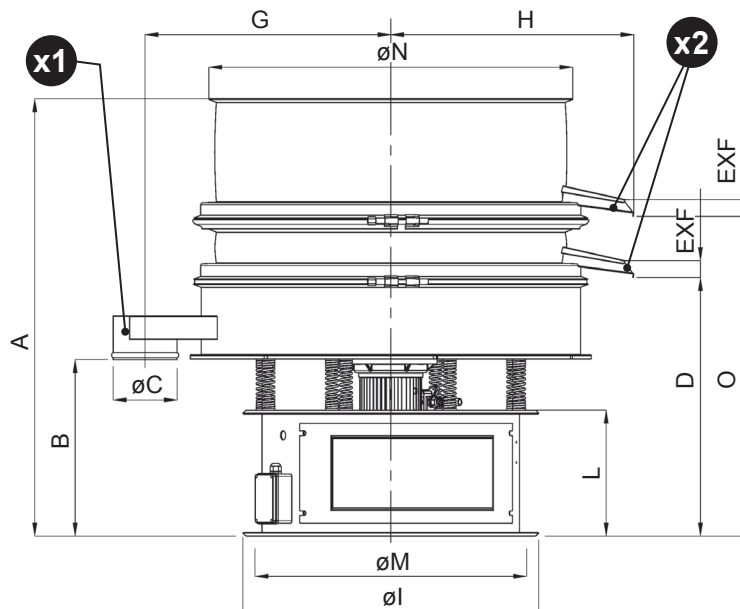
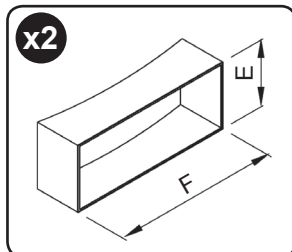
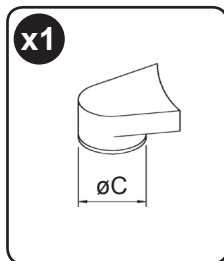
VBM 900 - 1200 - 1500 - 2000 2X

TECHNICAL FEATURES

DATI	U.M.	2000	1500	1200	900
Number screening nets	n.	2			
Screening surface	m ²	2,7+ 2,7	1,575+1,575	0,932+0,932	0,587+0,587
Power	kW	5	2,75	1,25	0,73
Centrifugal force	N	63.765	29.430	17.168	8.339
Motorised vibrator	Tipo	Z8	MV 155/4	MV 145/4	MV 125/4
Weight	kg	900	480	255	170

STRUCTURAL FEATURES

- AISI 304 stainless steel base, with ABS inspection door.
- Parts in contact with the product: AISI 304 L – roughness $\leq 0.5 \text{ Ra}\mu$.
- Protection rating: IP65.
- Upper anti-splash strip.
- Clamping system: half-rings with bolts.
- Quick-coupling diffuser in galvanised steel with PA cone.



Mod./Size	A	B	øC	D	E	F	G	H	I	L	øM	øN	øO
900 2/X	1093	441	160	646	42	140	615	612	741	315	680 N.4 fori ø11 a 90°	315	911
1200 2/X	1196	476	160	718	42	140	726	718	741	315	680 N.4 fori ø11 a 90°	1125	852
1500 2/X	1361	582	200	832	42	140	955	889	937	380	870 N.4 fori ø11 a 90°	1465	1017
2000 2/X	1497	693	250	961	50	200	1200	1144	1260	515	1215 N.4 fori ø18 a 90°	1958	1151

USE

- Screening of ceramic casting slips.

ACCESSORIES AND VERSIONS

- Quick-coupling diffuser, protected against incrustations.
- Diffuser available in stainless steel AISI 304.

The information is approximate - The guaranteed values are released by Vibrotech s.r.l. on request-It is forbidden to reproduce the document even partially.