

# PRESSURE TYPE ELECTROMAGNETIC IRON SEPARATOR FOR LIQUIDS

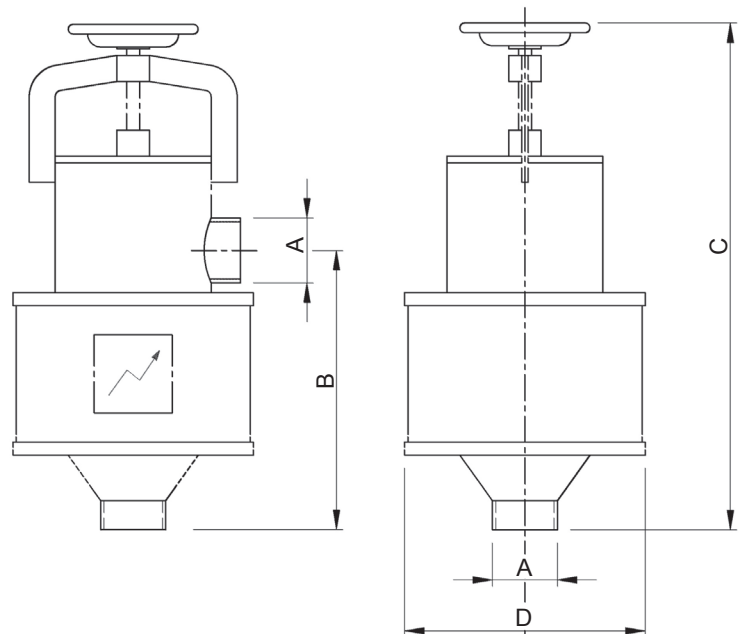
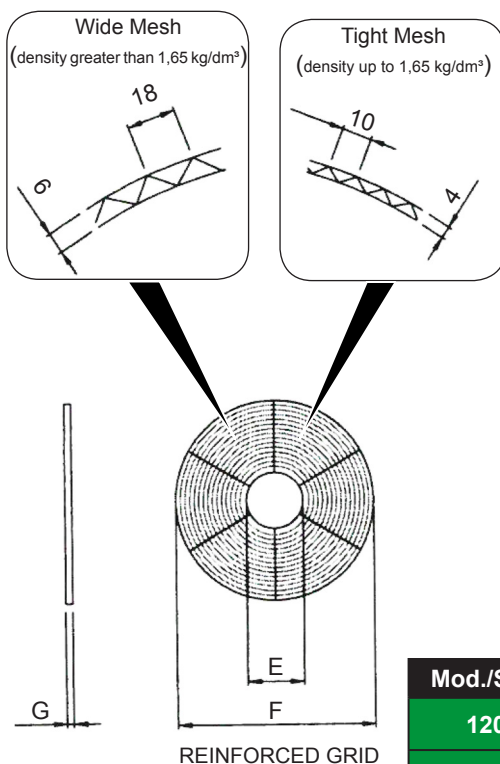
## FP 120-142-205-245-300-350-400

### TECHNICAL FEATURES

DATA	U.M.	120	142	205	245	300	350	400
Power	kW	0.13	0.22	0.30	0.40	0.60	0.80	1.00
Max. Capacity	dm <sup>3</sup> /h	1,200	2,500	6,000	12,000	16,000	24,000	34,000
Max operating pressure	bar	10	10	8	8	5	5	5
Weight	N	510	726	981	1,766	2,992	4,513	6,377

### STRUCTURAL FEATURES

- IP54 rating electric control panel.
- MAGNETIC STAINLESS STEEL reinforced grids.
- Electric coil powered with direct current.
- Female threaded connections for pressurised feeding.



Mod./Size	A	B	C	øD	øE	øF	G	N° GRIDS
120	1"1/4	380	645	250	44	118	6	26
142	2"	395	675	330	46	142	6	26
205	3"	435	765	375	85	203	6	29
245	4"	515	885	460	85	242	6	32
300	5"	545	925	520	138	300	6	32
350	5"	665	1.085	565	138	345	10	29
400	6"	720	1.150	640	147	400	10	30

### USE

- Iron removal from water, slips and glazes used in ceramics.

### ADVANTAGES

- Easy cleaning by disengaging the magnetic field.

The information is approximate - The guaranteed values are released by Vibrotech s.r.l. on request-It is forbidden to reproduce the document even partially.