

## VIBRATING SCREEN FOR POWDER

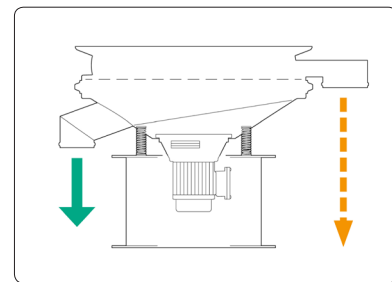
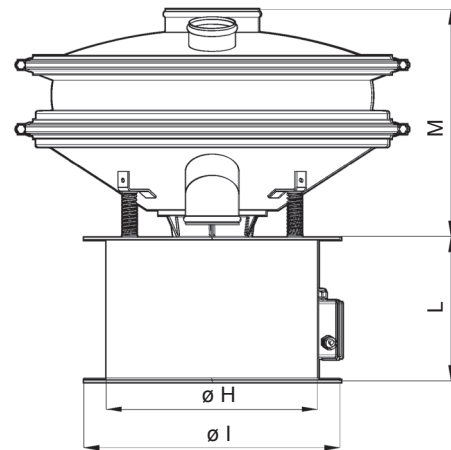
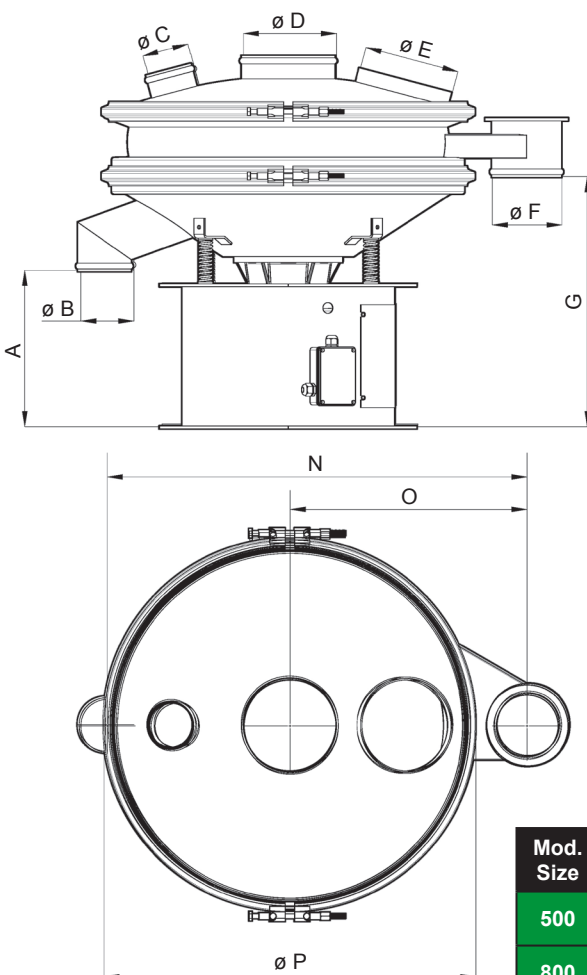
## VBP 500 - 800 1X

## TECHNICAL FEATURES

DATI	U.M.	500	800
Number screening nets	N.	1	1
Screening surface	m <sup>2</sup>	0,20	0,36
Power	kW	0,44	0,48
Centrifugal force	N	3000	5886
Vibrator motor	Type	MV 116/4	MV 116/4
Weight	Kg	70	105

## STRUCTURAL FEATURES

- Completely in steel AISI 304
- Compact and handy
- Motorised vibrator with long life lubrication
- Practical and handy mesh replacement system



Mod. Size	A	øB	øC	øD	øE	øF	G	øH	øI	L	M	N	O	øP
500	336	98	80	150	150	120	538	364	460	310	448	718	405	600
800	336	114	100	200	200	150	538	454	550	310	488	903	510	800

## USE

- Fine powder screening
- Available for liquid screening

## ACCESSORIES AND VERSIONS

- Dust protection cover with inspection door and suction intake
- Several systems for screening nets automatic unclogging
- Carriage with fixed base or wheels
- Food version with FDA certifications

The information is approximate - The guaranteed values are released by Vibrotech s.r.l. on request - It is forbidden to reproduce the document even partially.

## VIBRATING SCREEN FOR POWDER

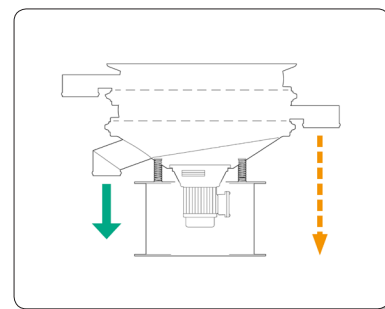
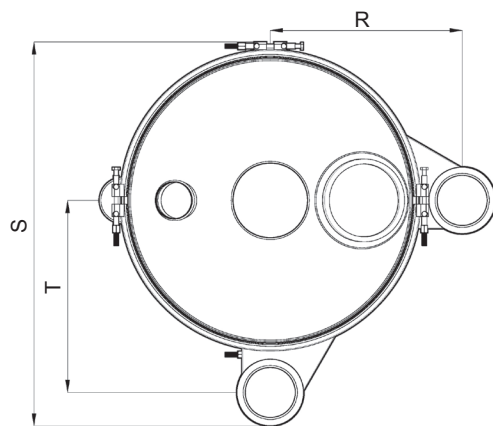
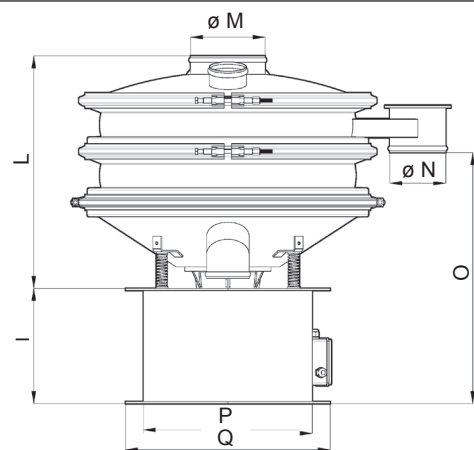
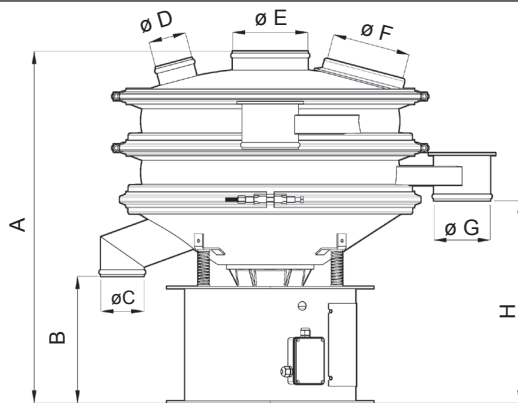
## VBP 500 - 800 2X

## TECHNICAL FEATURES

DATA	U.M.	500	800
Number screening nets	N.	2	2
Screening surface	m <sup>2</sup>	0,20+0,20	0,36+0,36
Power	kW	0,48	0,48
Centrifugal force	N	3000	5886
Vibrator motor	Type	MV 116/4	MV 116/4
Weight	kg	80	115

## STRUCTURAL FEATURES

- Completely in steel AISI 304
- Compact and handy
- Motorised vibrator with long life lubrication
- Practical and handy mesh replacement system



Mod. Size	A	B	øC	øD	øE	øF	øG	H	I	L	øM	øN	O	P	Q	R	S	T
500	902	336	98	80	150	150	120	538	310	592	150	120	674	364	460	405	785	405
800	934	336	114	100	200	200	150	538	310	624	200	150	674	454	550	510	1020	510

## USE

- Fine powder screening
- Available for liquid screening

## ACCESSORIES AND VERSIONS

- Dust protection cover with inspection door and suction intake
- Several systems for screening nets automatic unclogging
- Carriage with fixed base or wheels
- Food version with FDA certifications

The information is approximate - The guaranteed values are released by Vibrotech s.r.l. on request - It is forbidden to reproduce the document even partially.

**VIBRATING SCREEN FOR POWDER**

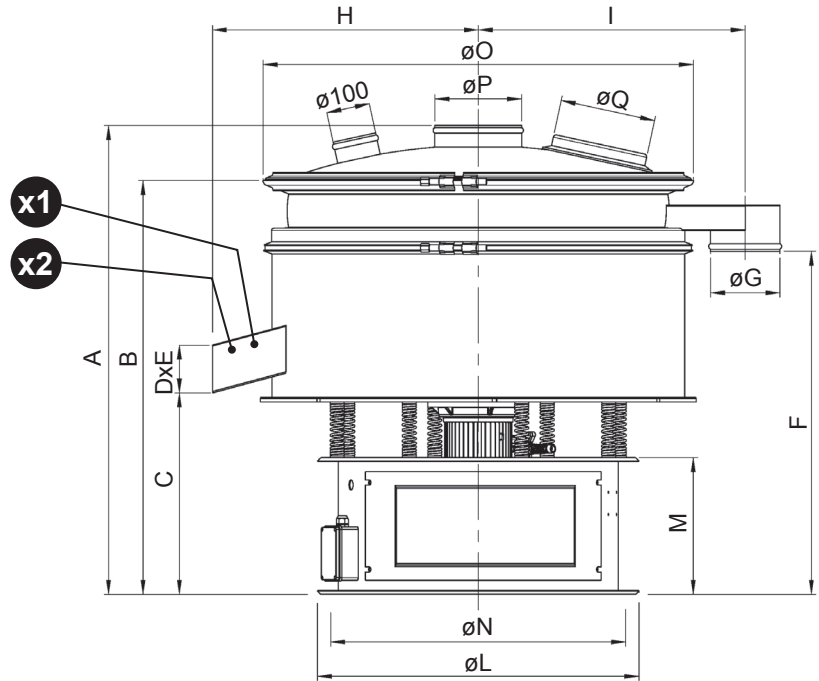
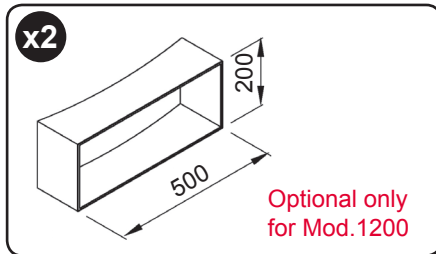
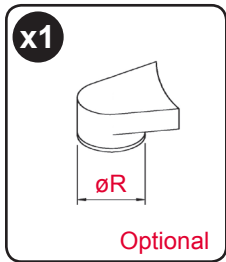
**VBP 900 - 1200 - 1500 - 2000 1X**

**TECHNICAL FEATURES**

DATA	U.M.	2000	1500	1200	900
Number screening nets	No.	1			
Screening surface	m <sup>2</sup>	2.7	1.575	0.932	0.587
Power	kW	5	2.75	1.25	0.73
Centrifugal force	N	58800	24500	12740	8330
Vibrator motor	Type	Z8	MV155/4	MV145/4	MV125/4
Weight	kg	850	450	250	175

**STRUCTURAL FEATURES**

- AISI 304 stainless steel base, with ABS inspection door
- Parts in contact with the product: AISI 304 L – roughness ≤ 0.5 Ra<sub>q</sub>
- Protection rating: IP65
- Sifted product outfeed: with sloping surface
- Clamping system: half-rings with bolts



Mod./Size	A	B	C	D	E	F	øG	H	I	øL	M	øN	øO	øP	øQ	øR
<b>900 1/X</b>	1079	953	464	110	260	790	160	626	615	741	315	680 N.4 fori ø11 a 90°	996	200	1x200	200
<b>1200 1/X</b>	1194	1034	472	110	260	837	160	738	727	741	315	680 N.4 fori ø11 a 90°	1210	200	2x200	200
<b>1500 1/X</b>	1415	1226	603	200	500	1013	200	937	925	937	325	870 N.4 fori ø11 a 90°	1550	300	3x200	300
<b>2000 1/X</b>	1627	1447	685	200	600	1238	200	1200	1160	1260	515	1215 N.4 fori ø18 a 90°	1973	300	3x200	300

**USE**

- Screening powder and granules in general

**ACCESSORIES AND VERSIONS**

- Mesh self-cleaning system with balls or cleaning rings
- Dust protection cover with inspection door and diffuser
- Sloping surface coating with Teflon or polyurethane
- Round discharge outlets

The information is approximate - The guaranteed values are released by Vibrotech s.r.l. on request - It is forbidden to reproduce the document even partially.

**VIBRATING SCREEN FOR POWDER**

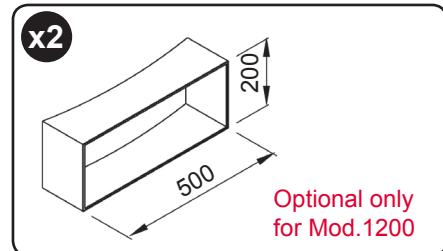
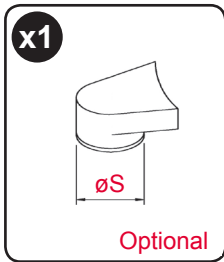
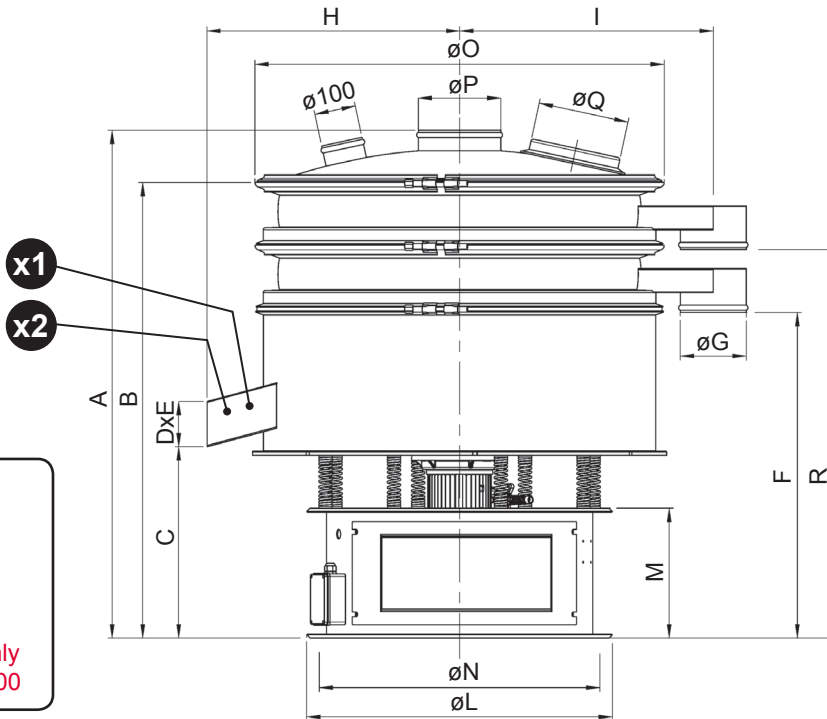
**VBP 900 - 1200 - 1500 - 2000 2X**

**TECHNICAL FEATURES**

DATI	U.M.	2000	1500	1200	900
Number screening nets	n.	2			
Screening surface	m <sup>2</sup>	2,7+ 2,7	1,575+1,575	0,932+0,932	0,587+0,587
Power	kW	5	2,75	1,25	0,73
Centrifugal force	N	58.800	24.500	12.740	8.330
Vibrator motor	Tipo	Z8	MV155/4	MV145/4	MV125/4
Weight	kg	950	520	275	195

**STRUCTURAL FEATURES**

- AISI 304 stainless steel base, with ABS inspection door
- Parts in contact with the product: AISI 304 L – roughness ≤ 0.5 Ra $\mu$
- Protection rating: IP65
- Sifted product outfeed: with sloping surface
- Clamping system: half-rings with bolts



Mod./Size	A	B	C	D	E	F	ØG	H	I	ØL	M	ØN	ØO	ØP	ØQ	ØR	ØS
900 2/X	1232	1105	464	110	260	790	160	626	615	741	315	680 N.4 fori Ø11 a 90°	996	200	1x200	942	200
1200 2/X	1378	1217	472	110	260	837	160	738	727	741	315	680 N.4 fori Ø11 a 90°	1210	200	2x200	1201	200
1500 2/X	1599	1410	603	200	500	1013	200	937	925	937	380	870 N.4 fori Ø11 a 90°	1550	300	3x200	1197	300
2000 2/X	1817	1637	685	200	600	1238	200	1200	1160	1260	515	1215 N.4 fori Ø18 a 90°	1973	300	3x200	1428	300

**USE**

- Screening powder and granules in general

**ACCESSORIES AND VERSIONS**

- Mesh self-cleaning system with balls or cleaning rings
- Dust protection cover with inspection door and diffuser
- Sloping surface coating with Teflon or polyurethane
- Round discharge outlets

The information is approximate - The guaranteed values are released by Vibrotech s.r.l. on request - It is forbidden to reproduce the document even partially

