

# SOURCE TYPE ELECTROMAGNETIC IRON SEPARATOR FOR LIQUIDS

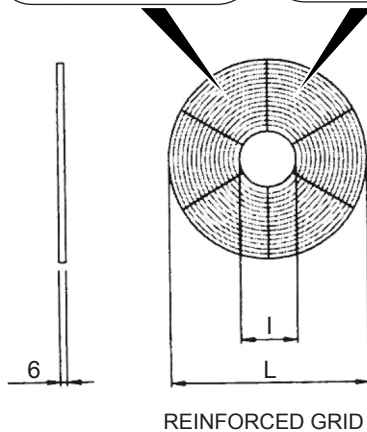
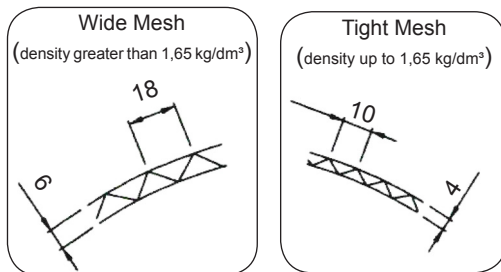
FS 205

## TECHNICAL FEATURES

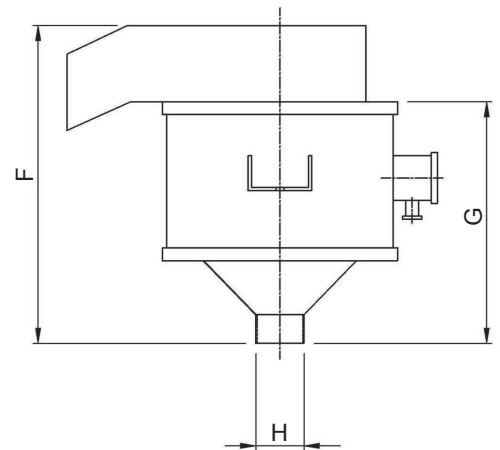
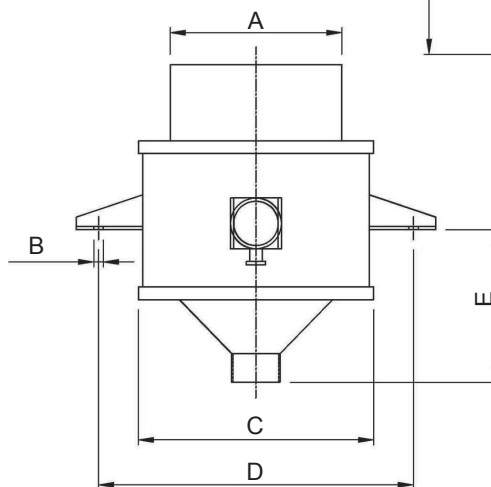
DATA	U.M.	205
Power	kW	0.30
Max. Capacity	dm <sup>3</sup> /h	6,000
Weight	N	980
Max liquid temperature	°C	50

## STRUCTURAL FEATURES

- IP54 rating electric control panel.
- MAGNETIC STAINLESS STEEL reinforced grids.
- Electric coil powered with direct current.
- STAINLESS STEEL discharge hopper.



REINFORCED GRID



Mod./Size	A	øB	øC	øD	E	F	G	H	øI	øL	N° GRIDS
205	270	12	375	GIROFORI 465	225	465	345	3"	86	203	29

### USE

- Plants for ceramic slips and glazes.

### ADVANTAGES

- Easy cleaning by disengaging the magnetic field.

The information is approximate - The guaranteed values are released by Vibrotech s.r.l. on request-It is forbidden to reproduce the document even partially.

# SOURCE TYPE ELECTROMAGNETIC IRON SEPARATOR FOR LIQUIDS

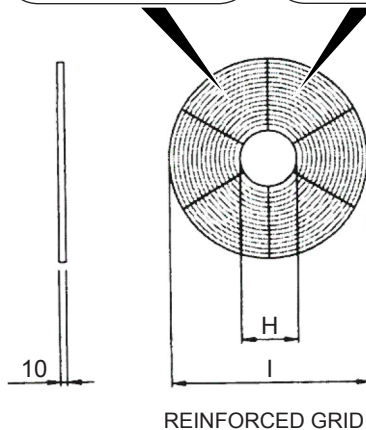
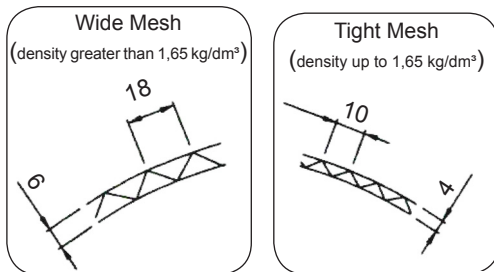
## FS 205 PLUS

### TECHNICAL FEATURES

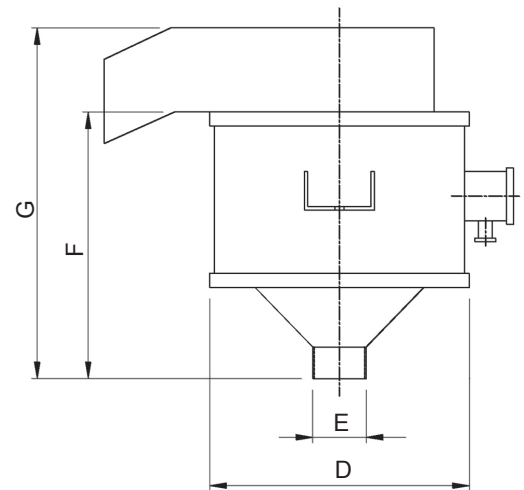
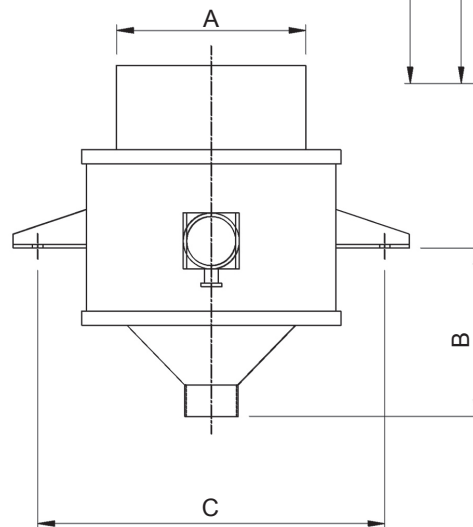
DATA	U.M.	205
Power	kW	0.65
Max. Capacity	dm <sup>3</sup> /h	9,000
Weight	N	1540
Max liquid temperature	°C	50

### STRUCTURAL FEATURES

- Corrosion-proof galvanised structure.
- IP54 rating electric control panel.
- MAGNETIC STAINLESS STEEL reinforced grids.
- Enhanced electric coil powered with direct current.
- STAINLESS STEEL discharge hopper.



REINFORCED GRID



Mod./Size	A	B	øC	øD	E	F	G	øH	øI	N° GRIDS
205	270	265	465	375	3"	425	545	86	203	26

### USE

- Plants for ceramic slips and glazes.

### ADVANTAGES

- Increased magnetic power.
- Easy cleaning by disengaging the magnetic field.
- Extra thick grids.
- Longer filter area.

The information is approximate - The guaranteed values are released by Vibrotech s.r.l. on request-It is forbidden to reproduce the document even partially.