

MILL DISCHARGE TRAILER-MOUNTED UNIT

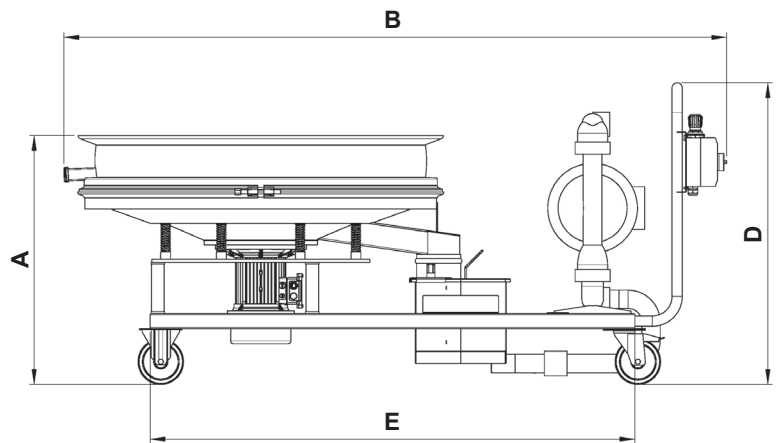
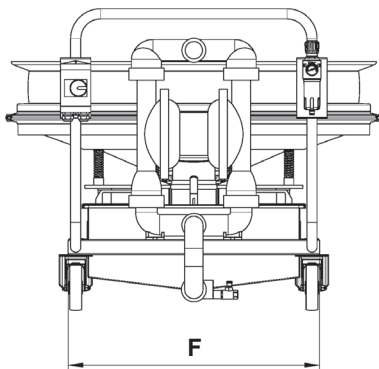
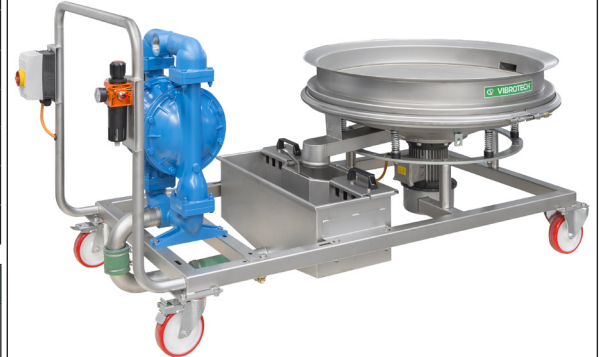
TSM 800 - 900 - 1200 - 1500

TECHNICAL FEATURES

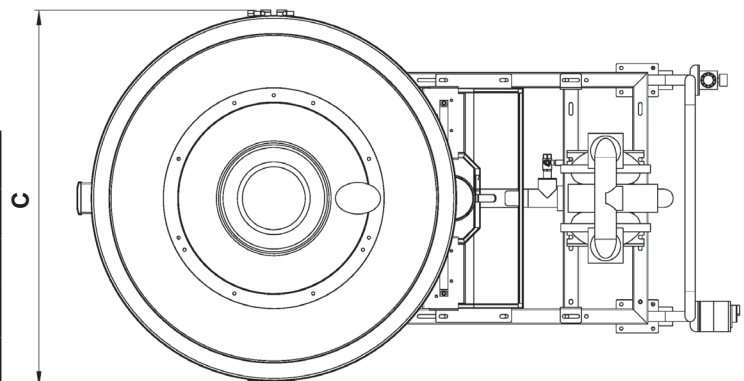
DATA	U.M.	1500	1200	900	800
Number screening nets	n.	1			
Screening surface	m ²	1,575	0,932	0,587	0,36
Power	kW	2,75	1,25	0,73	0,48
Centrifugal force	N	25.000	12.753	10.300	6670
Pneumatic pump		2" / 3"	2" / 3"	2"	2"
Max operating pressure	bar	6			
Max operating temperature	°C	80			
Weight	kg	300÷340	225	170	135

STRUCTURAL FEATURES

- AISI 304 stainless steel frame
- Parts in contact with the product: AISI 304 L – roughness $\leq 0.5 \text{ Ra}_{\mu}$
- Protection rating: IP65
- Metal separator with permanent magnets
- Pneumatic pump to convey enamel



Mod./Size	A	B	C	D	E	F
TSM 800	700	1722	890	942	1250	830
TSM 900	709	2079	1020	942	1600	
TSM 1200	774	2187	1240	942	1600	
TSM 1500	926	2638	1580	996	1850	



USE

- Screening of enamel coming out of the mills

The information is approximate - The guaranteed values are released by Vibrotech s.r.l. on request-It is forbidden to reproduce the document even partially.