

VIBRATING SCREEN FOR POWDER AND LIQUIDS

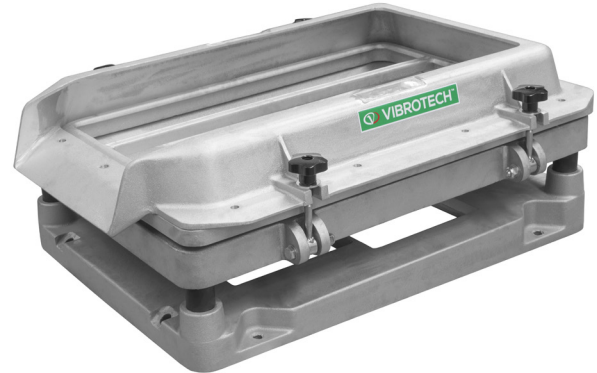
VAR 600X900

TECHNICAL FEATURES

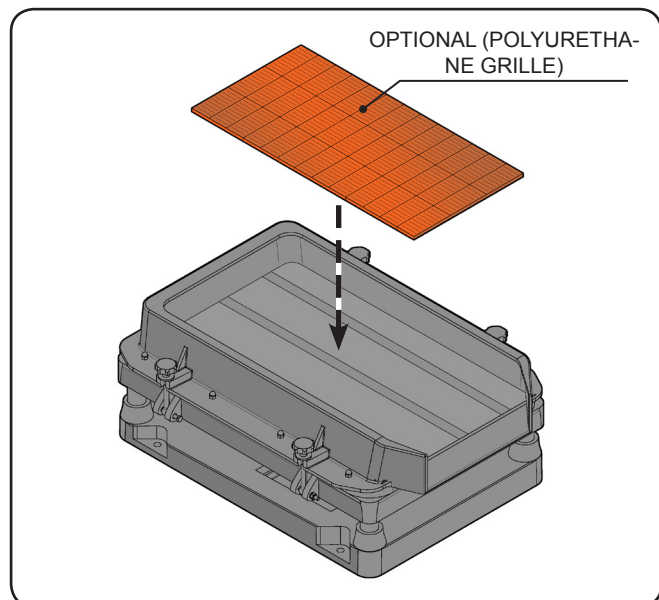
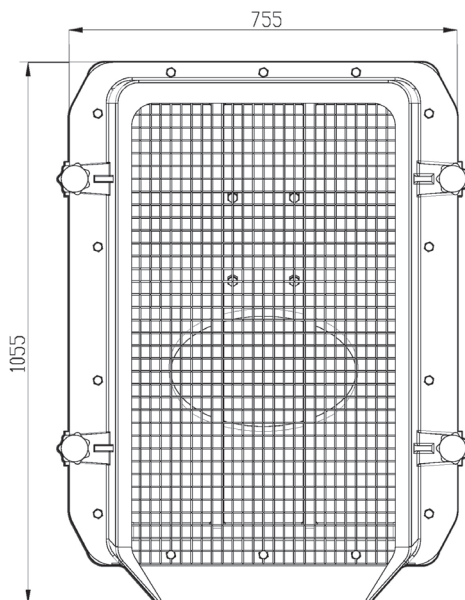
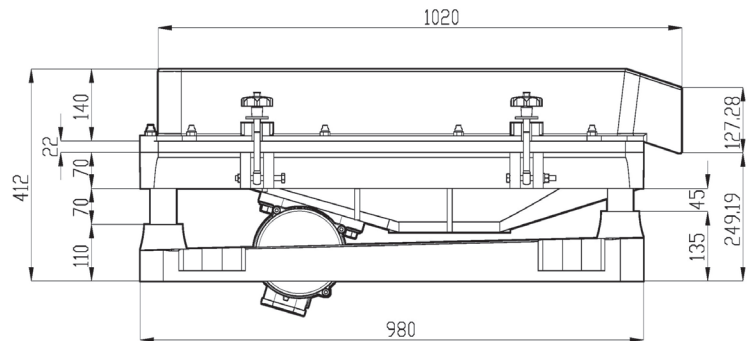
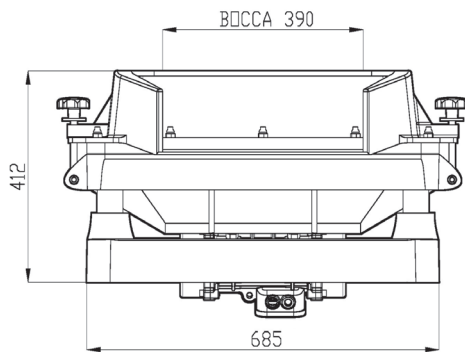
DATA	U.M.	600X900
Number screening nets	n.	1
Screening surface	m ²	0,4
Power	kW	0,75
Centrifugal force	N	7845
Motorised vibrator	Type	MVE 800/3
Weight	N	1227

STRUCTURAL FEATURES

- Aluminium body
- Large central outlet
- Elastic system with rubber anti-vibration mounts
- Unidirectional motor-driven vibrator with long life lubrication
- Independent mesh support frame



STANDARD VERSION WITH NETWORK



USE

- Course slurry sieving at mill outlets
- Sieving at small atomizer outlets

ACCESSORIES AND VARIANTS

- Polyurethane sieving grille
- Support trolley

The information is approximate - The guaranteed values are released by Vibrotech s.r.l. on request-It is forbidden to reproduce the document even partially.