

TROLLEY-MOUNTED PUMPS FOR ABRASIVE LIQUIDS

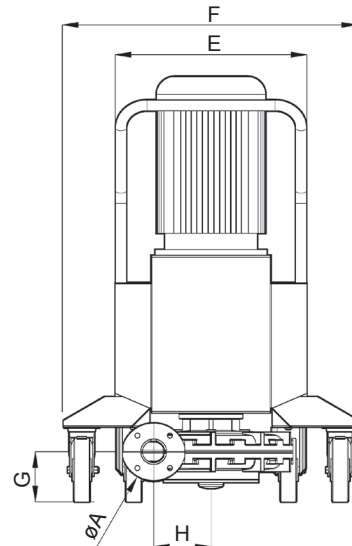
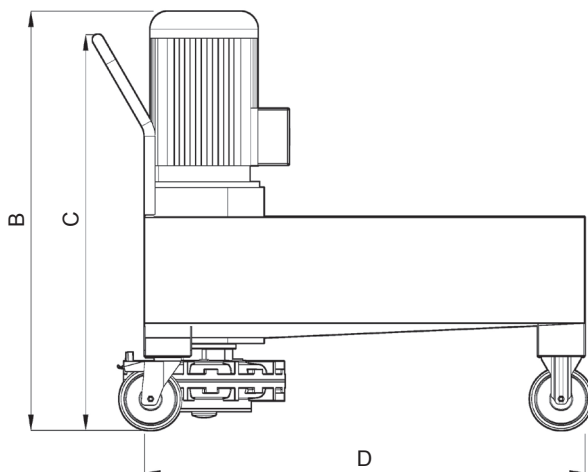
PGM3-PGM4-PGM5-PGM6

TECHNICAL FEATURES

DATA	U.M.	PGM 3	PGM 4	PGM 5	PGM 6
Tank dimensions	mm	600x600	600x600	600x600	600x950
		600x950	600x950	600x950	600x1400
			600x1400	600x1400	
Electrical power	kW	4	5,5	9,2	18,5
Max. slurry flow rate	m ³ /h	12	18	30	50
Max. slurry prevalence	ml/H ₂ O	6	7	20	27
Outlet flange	Tipo	DN40	DN65	DN65	DN65
Motor	Taglia	112	132	132	180
Weight	N	VEDI TABELLA SOTTOSTANTE			

STRUCTURAL FEATURES

- Interchangeable pump body cladding made of wear-resistant rubber
- AISI 304 stainless steel collection tank



Models/ Weights/Size	Weight (N)	ØA	B	C	D	E	F	G	H
PGM3 600x600	961	DN 40	916	943	600	600	800	130	72
PGM3 600x950	1010	DN 40	916	943	950	600	800	130	72
PGM4 600x600	1079	DN 65	963	943	600	600	800	103	104
PGM4 600x950	1137	DN 65	963	943	950	600	800	103	104
PGM4 600x1400	1216	DN 65	963	943	1400	600	800	103	104
PGM5 600x600	1137	DN 65	966	943	600	600	800	118	143
PGM5 600x950	1196	DN 65	966	943	950	600	800	118	143
PGM5 600x1400	1275	DN 65	966	943	1400	600	800	118	143
PGM6 600x950	1766	DN 65	1335	1260	950	600	925	157	180
PGM6 600x1400	1864	DN 65	1335	1260	1400	600	925	157	180

USE

- Transferring glazes and slurries from processing machines.

The information is approximate - The guaranteed values are released by Vibrotech s.r.l. on request - It is forbidden to reproduce the document even partially.