

GRAVITY TYPE ELECTROMAGNETIC IRON SEPARATOR FOR LIQUIDS

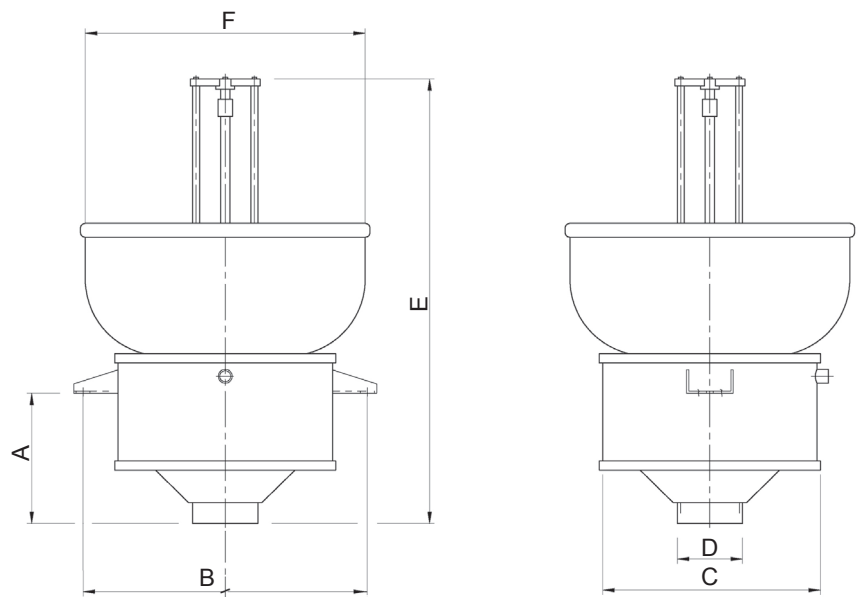
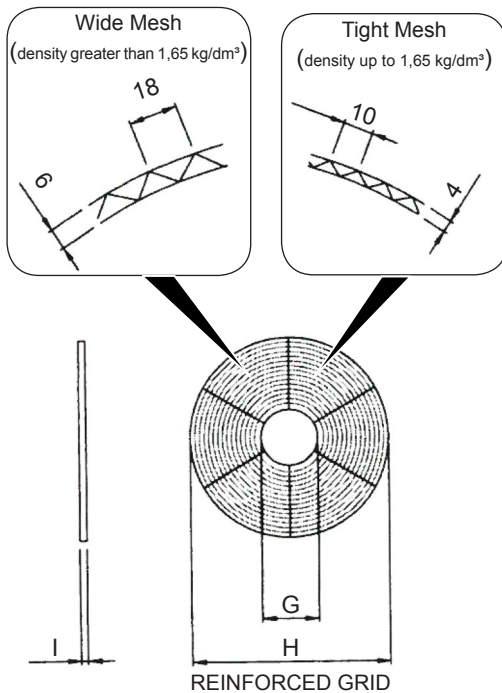
FG 120-142-205-245-300-350-400

TECHNICAL FEATURES

DATA	U.M.	120	142	205	245	300	350	400
Power	kW	0.13	0.22	0.30	0.40	0.60	0.80	1.00
Max. Capacity	dm ³ /h	1,200	2,500	6,000	12,000	16,000	24,000	34,000
Weight	N	491	687	932	1,619	2,845	4,317	6,083

STRUCTURAL FEATURES

- IP54 rating electric control panel.
- MAGNETIC STAINLESS STEEL reinforced grids.
- Electric coil powered with direct current.
- Supply tank with float.



Mod./Size	A	øB	øC	D	E	F	øG	øH	I	N° GRIDS
120	/	/	250	1"1/4	640	320	44	118	6	23
142	/	/	330	1"1/2	675	380	46	142	6	23
205	225	465	375	2"1/2	825	450	85	203	6	25
245	245	610	460	4"	940	575	95	242	6	28
300	260	650	520	5"	1.000	575	138	300	6	28
350	300	670	565	6"	1.100	610	138	345	10	28
400	380	755	640	6"	1.500	730	140	400	10	27

USE

- Iron removal from water, slips and glazes used in ceramics.

ADVANTAGES

- Easy cleaning by disengaging the magnetic field.

The information is approximate - The guaranteed values are released by Vibrotech s.r.l. on request-It is forbidden to reproduce the document even partially.