

VIBRATING SCREEN FOR POWDER

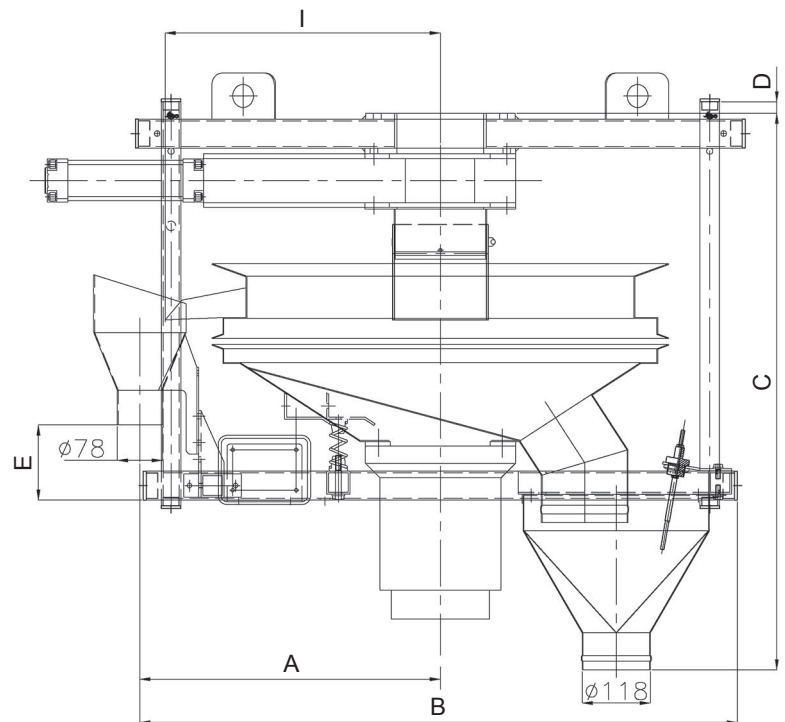
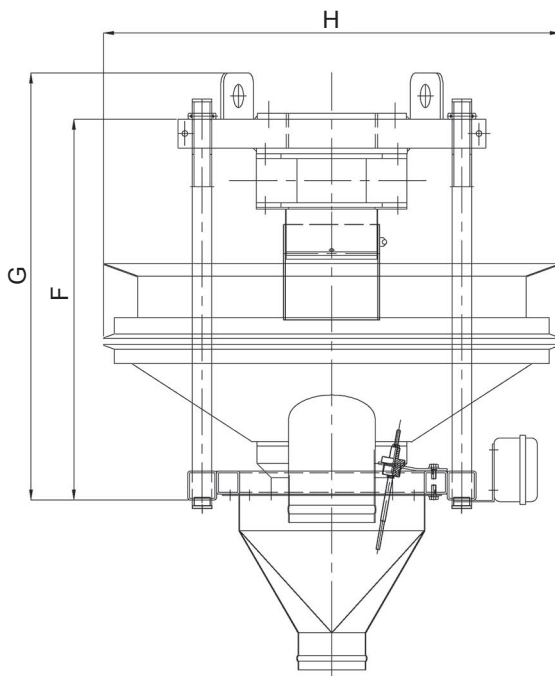
VBA 600-800

TECHNICAL FEATURES

DATA	U.M.	600	800
Power	kW	0.48	0.48
Centrifugal force	N	4.121	5,886
Number screening nets	No.	1	
Screening surface	sq.m	0.264	0.36
Motorised vibrator	Type	MV 112/2	MV 116/2
Weight	kg	125	135

STRUCTURAL FEATURES

- Self-supporting structure, ready to be fastened to the press-feeding hopper.
- Tilted flat bottom.
- Fully automatic and independent operation.



Mod./Size	A	B	C	D	E	F	G	H	I
600	441	956	905	80	55	600	680	670	385
800	521	1,036	965	20	130	660	740	792	483

USE

- Press supply atomised powder screening.

ACCESSORIES

- Mesh cleaning system.

The information is approximate - The guaranteed values are released by Vibrotech s.r.l. on request-It is forbidden to reproduce the document even partially.

VIBRATING SCREEN FOR POWDER

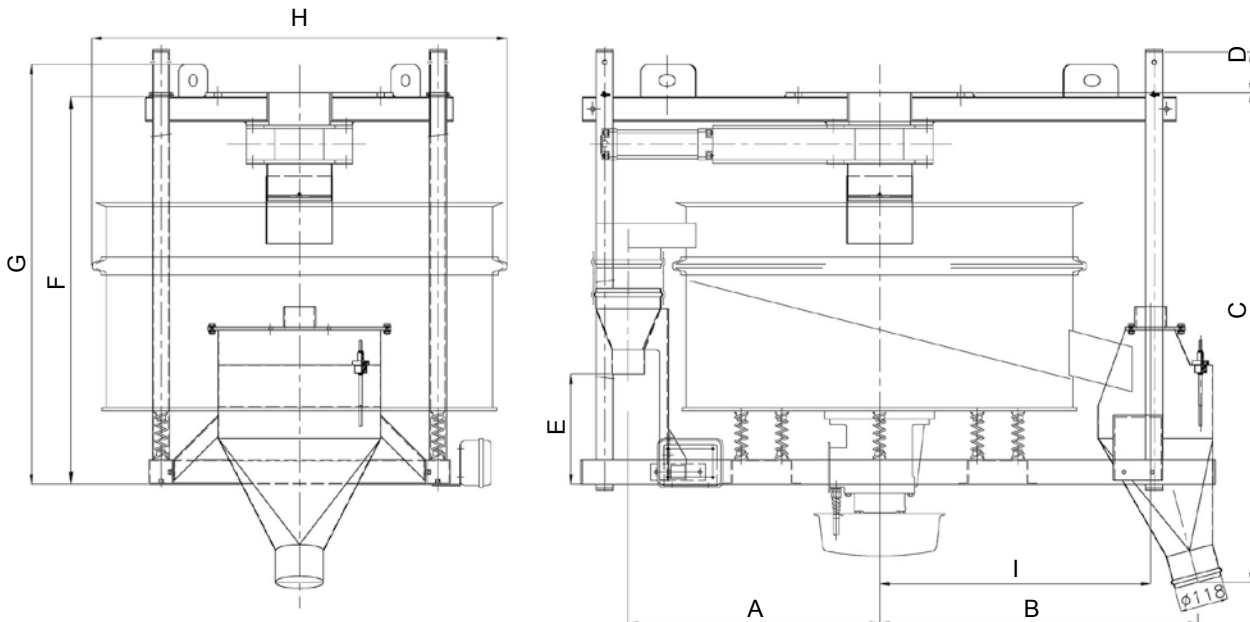
VBA 900-1200

TECHNICAL FEATURES

DATA	U.M.	900	1200
Power	kW	0.73	1.25
Centrifugal force	N	8.330	12.740
Number screening nets	No.	1	
Screening surface	sq.m	0.587	0.932
Motorised vibrator	Type	MV 125/4	MV 145/4
Weight	kg	290	360

STRUCTURAL FEATURES

- Self-supporting structure, ready to be fastened to the press-feeding hopper.
- Tilted flat bottom.
- Fully automatic and independent operation.



Mod./Size	A	B	C	D	E	F	G	H	I
900	617	782	1.200	100	270	950	1.030	1.020	790
1200	724	906	1.280	20	312	1.030	1.110	1.205	667

USE

- Press supply atomised powder screening.

ACCESSORIES

- Mesh cleaning system.

The information is approximate - The guaranteed values are released by Vibrotech s.r.l. on request-It is forbidden to reproduce the document even partially.

VIBRATING SCREEN FOR POWDER

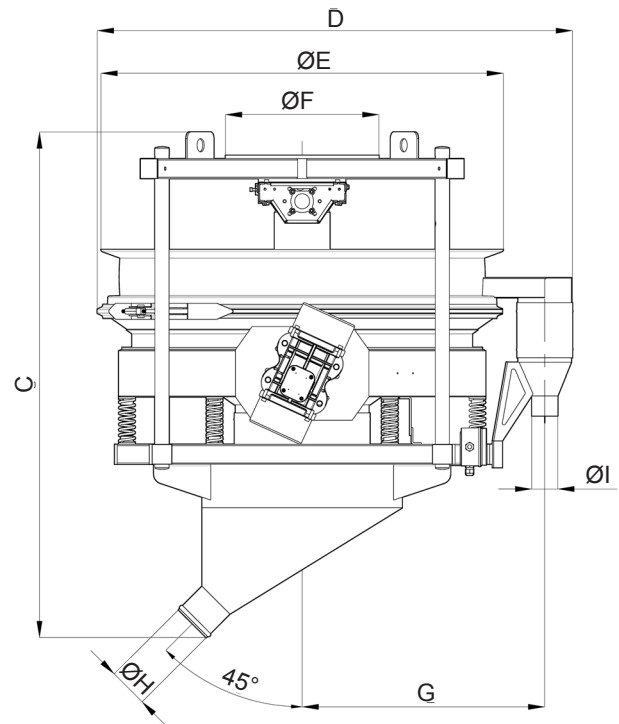
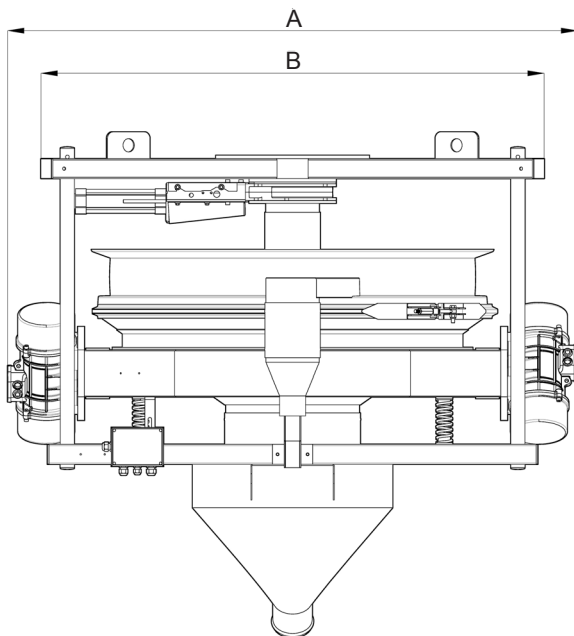
VBA2 800-900-1200

TECHNICAL FEATURES

DATA	U.M.	800	900	1200
Power	KW	0,3+0,3	0,62+0,62	0,62+0,62
Centrifugal force	N	8378	13165	13165
Number screening nets	No.	1		
Screening surface	m ²	0,360	0,587	0,932
Motorised vibrator	Type	MVE 400	MVE 700	MVE 700
Weight	N	1472	3237	3728

STRUCTURAL FEATURES

- Self-supporting structure, ready to be fastened to the press-feeding hopper.
- Fully open base for easy drainage
- Fully automatic and independent operation.



Mod./Size	A	B	C	D	ØE	ØF	G	ØH	ØI
800	1365	1175	1320	1020	796	460	510	118	78
900	1490	1510	1495	1210	992	460	615	118	78
1200	1708	1510	1515	1425	1206	460	727	118	78

USE

- Press supply atomised powder screening.

ACCESSORIES

- Mesh cleaning system.

The information is approximate - The guaranteed values are released by Vibrotech s.r.l. on request-It is forbidden to reproduce the document even partially.