

**DEFERRIZERS FOR LIQUIDS**

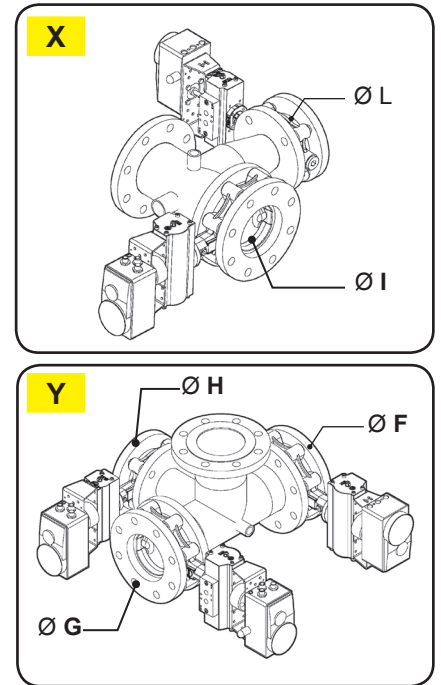
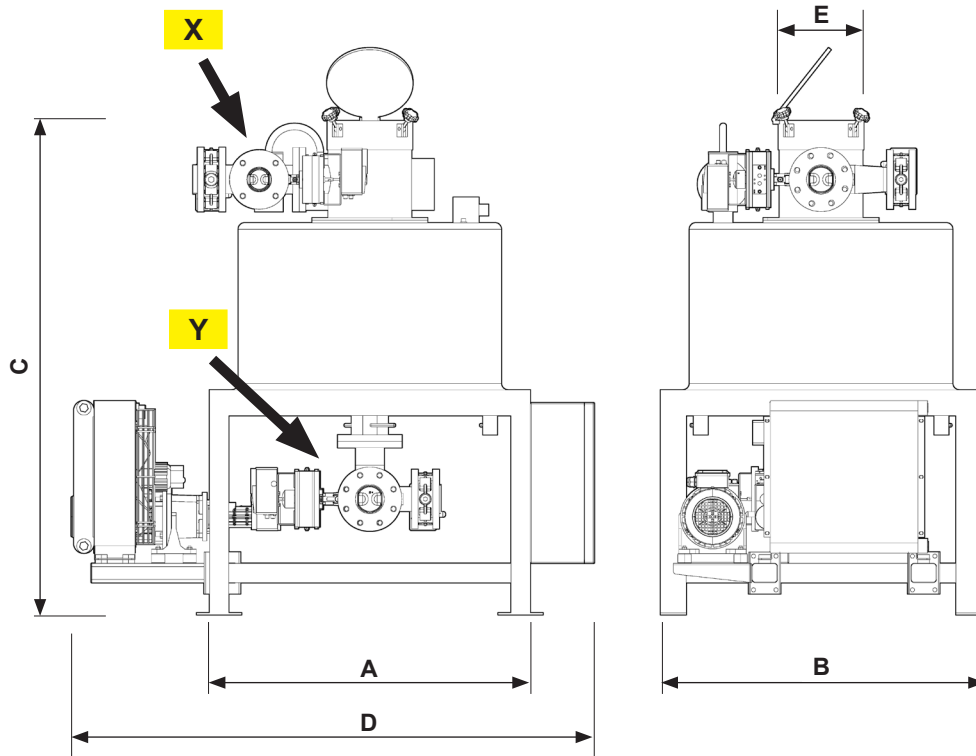
**WHI FILTER**

**TECHNICAL FEATURES**

DATA	U.M.	250/11	400/20
Magnetic grid diameter	mm	250	400
Electrical power	kW	11	20
Magnet intensity	Gauss	35.000	35.000
Slurry flow rate	l/h	10.000 ÷ 25.000	20.000 ÷ 50.000
Weight	Kg	1.500	2.000

**STRUCTURAL FEATURES**

- Reel cooling with oil-air exchanger with built-in pump
- Control panel with touch screen and programmable parameters
- Pressure transducer for Machine internal pressure control
- Fully automatic washing
- Position sensors on all valves
- Remote assistance module included in the supply



Mod./Size	A	B	C	D	E	ØF Slip infeed piping	ØG Washing water outfeed piping	ØH Water infeed piping	ØI Slip outfeed piping	ØL Water infeed piping
250/11	1000	1000	1550	1650	250	DN 80	DN 80	DN 60	DN 80	DN 60
400/20	1115	1115	1550	1820	400	DN 100	DN 100	DN 60	DN 100	DN 60

**USE**

Iron removal from slip and ceramic enamels with automatic washing system

**OPTIONAL**

- Differential pressure switch to save washing water
- Magnetic separator for washing water
- Hoist for magnetic grid pack removal
- Cabin for periodic manual washing, magnetic grids

The information is approximate - The guaranteed values are released by Vibrotech s.r.l. on request - It is forbidden to reproduce the document even partially.