

## VIBRATING SCREEN FOR POWDER AND LIQUIDS

VB2 450-600

## TECHNICAL FEATURES

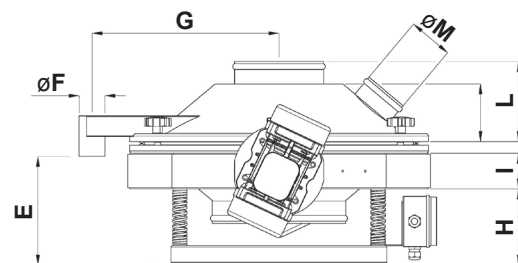
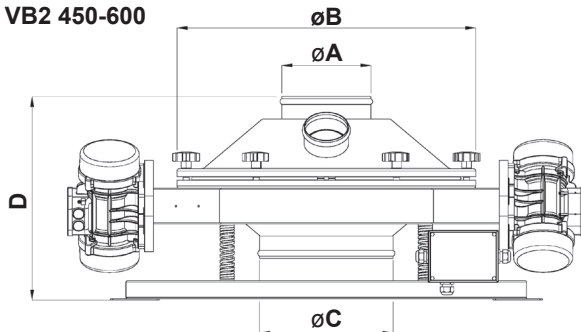
DATA	U.M.	450	600
Number screening nets	no.	1	
Screening surface	m <sup>2</sup>	0.104	0.264
Power	kW	0.18+0.18	0.16+0.16
Centrifugal force	N	374	388
Motorised vibrator	Type	MVE 200/3	MVE 200/4
Weight	Kg	35	65

## STRUCTURAL FEATURES

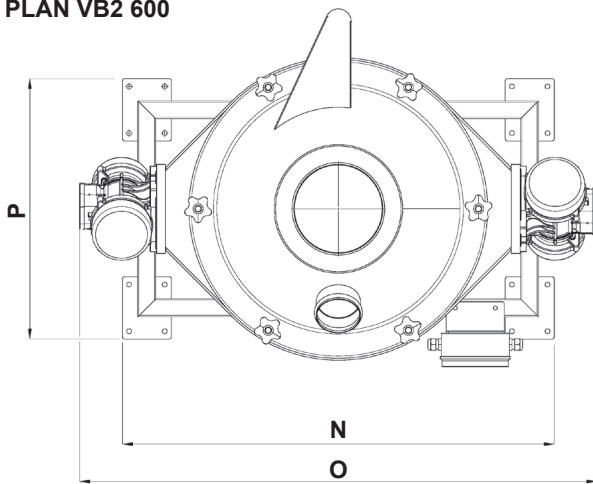
- Open base with discharge outlet connected to the power feed.
- Lateral motor vibrators, IP65 protection rating, certified ATEX zone 22
- Parts in contact with product: AISI 304 stainless steel
- RAL 7035 painted carbon steel frame



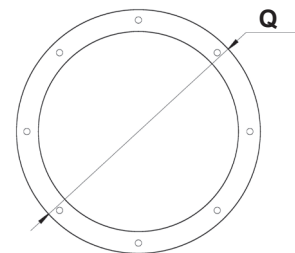
VB2 450-600



PLAN VB2 600



PLAN VB2 450



Mod./Size	øA	øB	øC	D	E	øF	G	H	I	L	øM	N	O	P	Q
450	200	454	300	312	179	60	303	108	50	135			870		455
600	200	671	300	457	244	60	420	171	80	180	100	970	1162	585	

## USE

- Powder and liquid screening
- Press feed
- Mill discharge outlet

The information is approximate - The guaranteed values are released by Vibrotech s.r.l. on request-It is forbidden to reproduce the document even partially.

## VIBRATING SCREEN FOR POWDER AND LIQUIDS

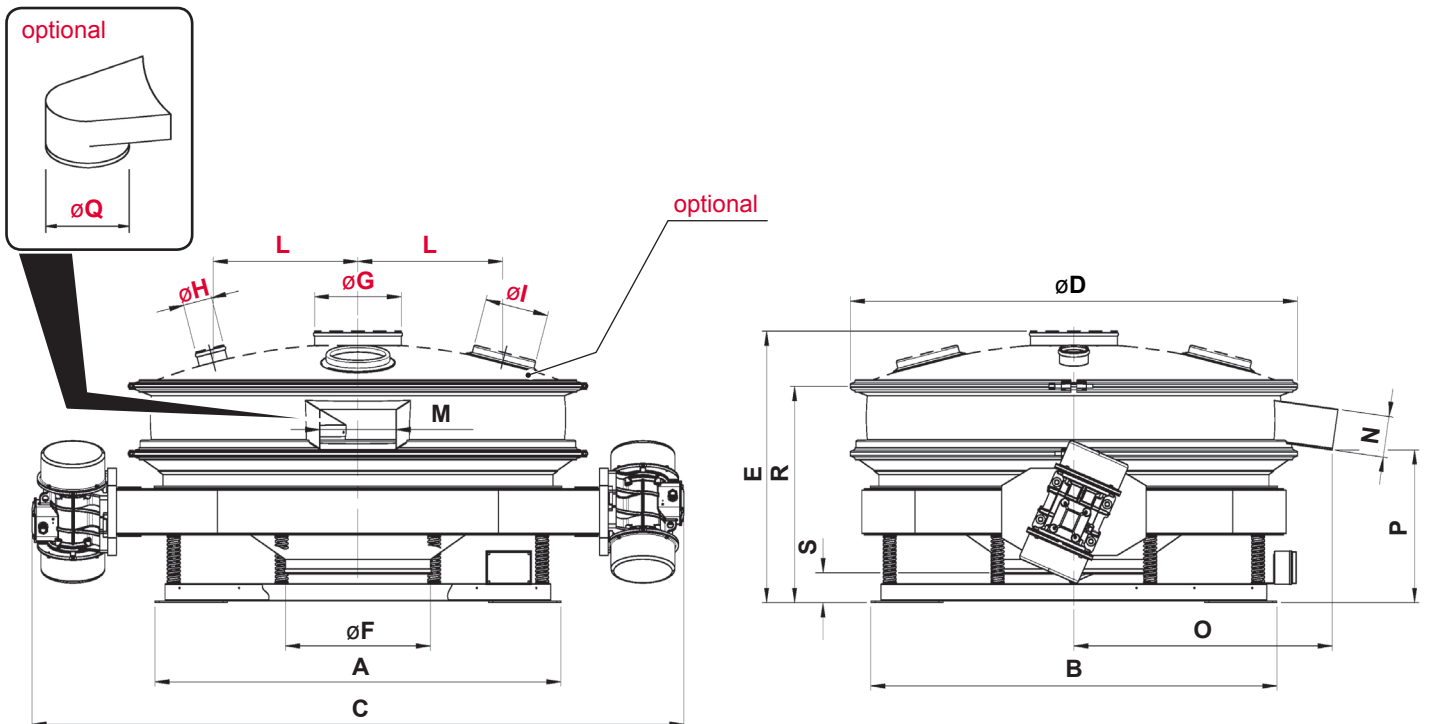
VB2 800 - 900 - 1200 - 1500 1/X

## TECHNICAL FEATURES

DATA	U.M.	800	900	1200	1500
Number screening nets	no.	1			
Screening surface	m <sup>2</sup>	0.360	0.587	0.932	1.575
Power	kW	0.3+0.3	0.62+0.62	0.62+0.62	0.9+0.9
Centrifugal force	N	8378	13165	13165	27566
Motorised vibrator	Type	MVE 400	MVE 700	MVE 700	MVE 1400
Weight	N	932	1962	2452	3193

## STRUCTURAL FEATURES

- Open base with discharge outlet connected to the power feed.
- Lateral motor vibrators, IP65 protection rating, certified ATEX zone 22
- Parts in contact with product: AISI 304 stainless steel
- RAL 7035 painted carbon steel frame



Mod./Size	A	B	C	∅D	E	∅F	∅G	∅H	∅I	L	M	N	O	P	∅Q	R	S
800 1/X	740	839	1365	800	561	300	200	100	1X200	244	140	30	510	312	150	397	55
900 1/X	857	970	1490	992	704	400	200	100	1X200	275	140	30	608	429	160	573	159
1200 1/X	1039	1180	1708	1210	853	400	200	100	2X200	420	265	140	725	473	160	691	126
1500 1/X	1403	1403	2253	1550	937	500	300	100	3X200	500	265	140	893	527	200	745	98

## USE

- Powder screening
- Sprayer discharge outlet
- Press feed
- Mill discharge outlet

The information is approximate - The guaranteed values are released by Vibrotech s.r.l. on request-It is forbidden to reproduce the document even partially.

## VIBRATING SCREEN FOR POWDER AND LIQUIDS

VB2 800 - 900 - 1200 - 1500 2/X

## TECHNICAL FEATURES

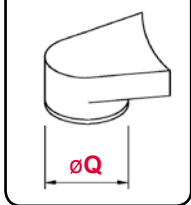
DATA	U.M.	800	900	1200	1500
Number screening nets	n.	2			
Screening surface	m <sup>2</sup>	0,360+0,360	0,587+ 0,587	0,932+0,932	1,575+ 1,575
Power	kW	0,3+0,3	0,62+0,62	0,62+0,62	0,9+0,9
Centrifugal force	N	8378	13165	13165	27566
Motorised vibrator	Tipo	MVE 400	MVE 700	MVE 700	MVE 1400
Weight	kg	166	213	322	542

## STRUCTURAL FEATURES

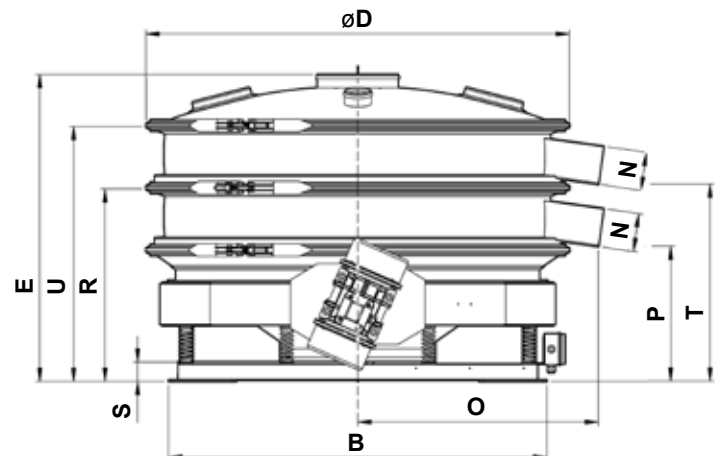
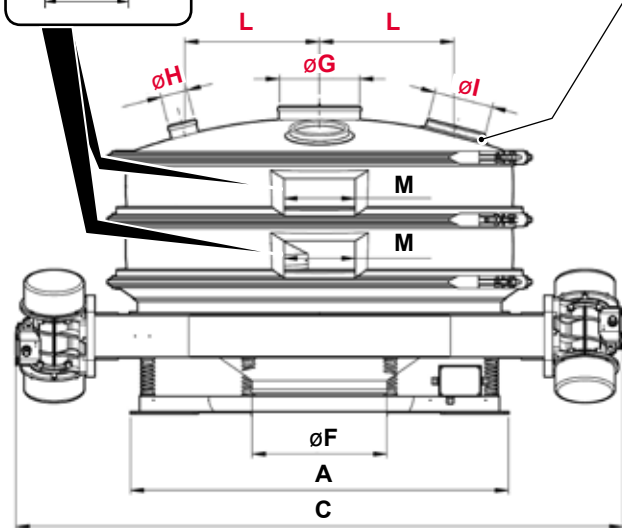
- Open base with discharge outlet connected to the power feed.
- Lateral motor vibrators, IP65 protection rating, certified ATEX zone 22
- Parts in contact with product: AISI 304 stainless steel
- RAL 7035 painted carbon steel frame



optional



optional



Mod./Size	A	B	C	øD	E	øF	øG	øH	øI	L	M	N	O	P	øQ	R	S	T	U
800 1/X	740	839	1365	800	640	300	200	100	1X200	244	140	30	510	260	150	397	55	400	540
900 1/X	857	970	1490	992	850	400	200	100	1X200	275	140	30	608	429	160	573	159	580	723
1200 1/X	1039	1180	1708	1210	1080	400	200	100	2X200	420	265	140	725	473	160	691	126	703	920
1500 1/X	1403	1403	2253	1550	1167	500	300	100	3X200	500	265	140	893	527	200	745	98	757	975

## USE

- Powder screening
- Sprayer discharge outlet
- Press feed
- Mill discharge outlet

The information is approximate - The guaranteed values are released by Vibrotech s.r.l. on request-It is forbidden to reproduce the document even partially.

VIBROTECH S.r.l.  
 Siège social : Via Racchetta, 2 - int. 20 - 41049 Sassuolo (MO)  
 Centre opérationnel : Via Don Pasquino Borghi, 4 - 42013 S. ANTONINO DI CASALGRANDE (RE) - Italie  
 Tél : +39 0536 82.37.76 - Fax : +39 0536 81.20.09 - www.vibrotech.biz - email : info@vibrotech.biz  
 SIREN de Mo 407988 - N° Identification fiscale et Numéro de TVA 03674210368

