

## IRON-REMOVE FOR LIQUIDS

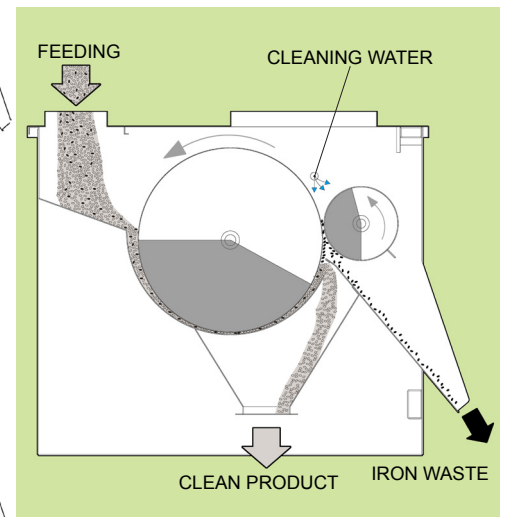
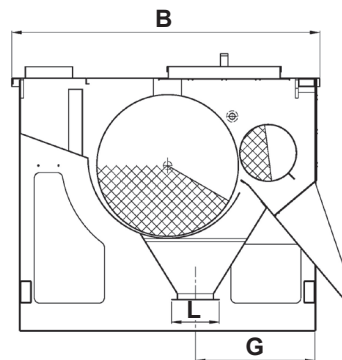
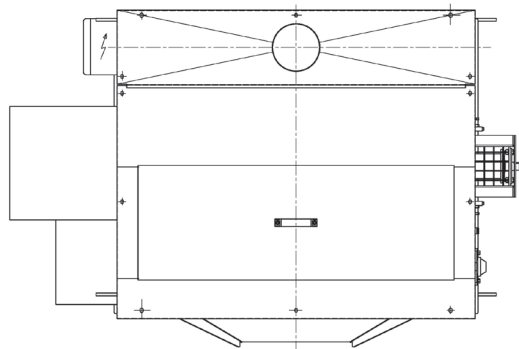
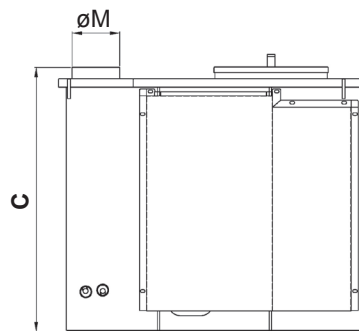
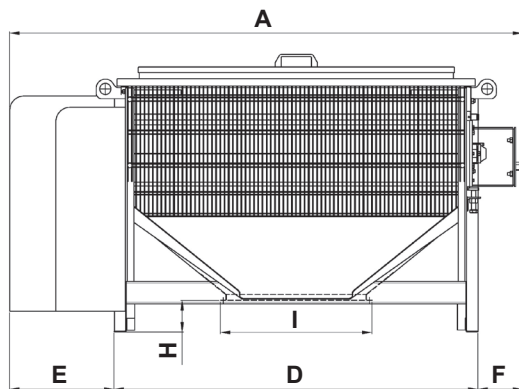
## DEMOVER 250-400-800

## TECHNICAL FEATURES

DATA	U.M.	250	400	800
Nominal power of magnets	Gauss	12,000	12,000	12,000
Power	kW	0,18+0,12	0,18+0,12	0,55+0,12
Washing water consumption	l/s	0.1	0.15	0.15
Weight	kg	260	335	625
Maximum Capacity	l/h	12,000	18,000	36,000

## STRUCTURAL FEATURES

- Automatic programmable cleaning
- Rollers with permanent magnets
- All parts in contact with AISI 304 stainless steel
- Gearmotors with life-long lubrication
- AISI 304 stainless steel accident-prevention protections



Mod./Size	A	B	C	D	E	F	G	H	I	L	øM
250	1356	793	661	896	310	150	272	12	290	170	170
400	1756	793	661	1296	310	150	272	12	540	170	170
800	1828	1098	942	1296	372	160	426	112	540	170	170

## USE

- Casting slip deferrization
- Grinding water deferrization

## ADVANTAGES

- Constant efficiency, ensured by fully automatic cleaning
- Permanent magnets to ensure operation under any condition
- High capacities with reduced overall dimensions

The information is approximate - The guaranteed values are released by Vibrotech s.r.l. on request-It is forbidden to reproduce the document even partially.

**IRON-REMOVE FOR LIQUIDS**

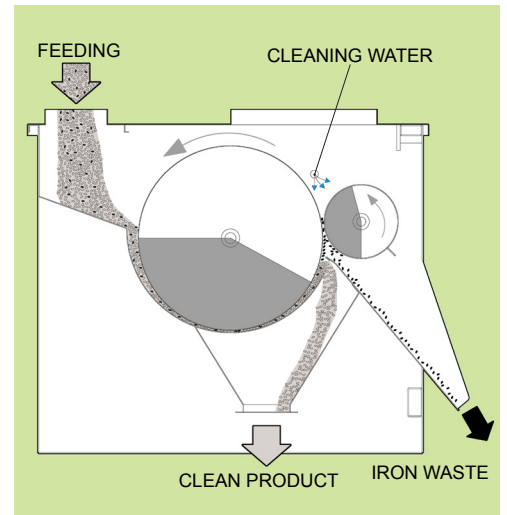
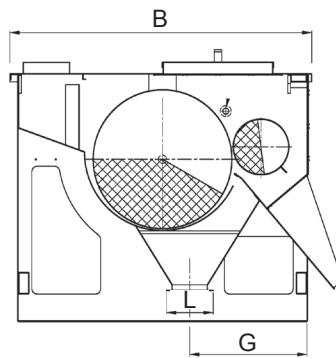
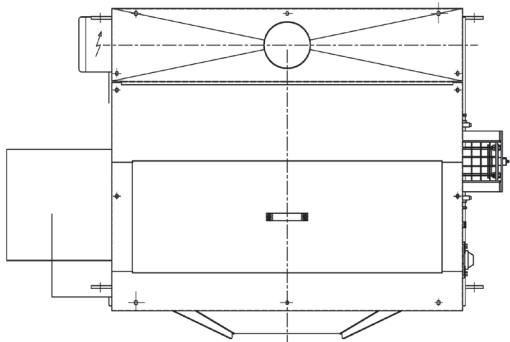
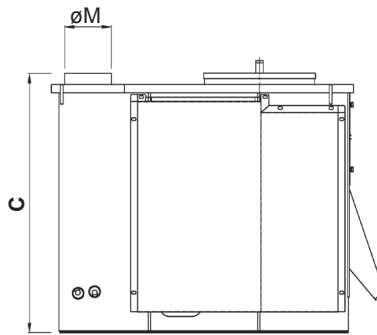
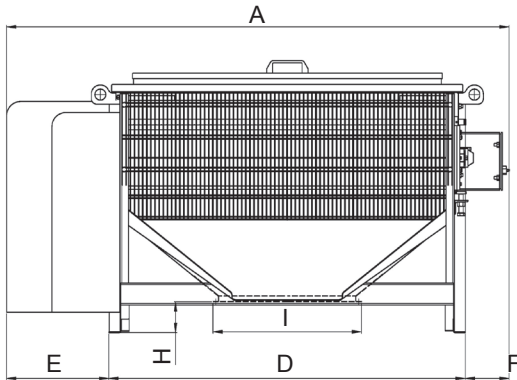
**DEMOVER 250-400-800-1600 PLUS**

**TECHNICAL FEATURES**

DATA	U.M.	250	400	800	1600
Nominal power of magnets	Gauss	16.000	16.000	16.000	16.000
Power	kW	0,18+0,12	0,18+0,12	0,55+0,18	0,55+0,18
Washing water consumption	l/s	0.10	0.15	0.15	0.20
Weight	kg	270	350	650	1400
Maximum Capacity	l/h	12,000	18,000	36,000	72,000

**STRUCTURAL FEATURES**

- Automatic programmable cleaning
- Rollers with high-gradient permanent magnets
- All parts in contact with AISI 304 stainless steel
- Gearmotors with life-long lubrication
- AISI 304 stainless steel accident-prevention protections



Mod./Size	A	B	C	D	E	F	G	H	I	L	øM
<b>250</b>	1356	793	661	896	310	150	272	12	290	170	170
<b>400</b>	1756	793	661	1296	310	150	272	12	540	170	170
<b>800</b>	1828	1098	942	1296	372	160	426	112	540	170	170
<b>1600</b>	2262	1644	1243	1697	400	165	500	112	940	240	300

**USE**

- Casting slip deferrization
- Grinding water deferrization

**ADVANTAGES**

- Constant efficiency, ensured by fully automatic cleaning
- Permanent magnets to ensure operation under any condition
- High capacities with reduced overall dimensions

The information is approximate - The guaranteed values are released by Vibrotech s.r.l. on request-It is forbidden to reproduce the document even partially.